

正茂<sup>®</sup>  
ZHENG MAO  
MACHINERY

新品上市 行业首创

New product launch, industry initiative.



一机双枪  
ONE MACHINE DOUBLE GUNS

全自动 高压清洗机  
AUTOMATIC HIGH PRESSURE WASHER





## 企业简介 Company profiles

浙江正茂气动机械有限公司是一家专业从事高压柱塞泵、高压清洗机、气动工具、卧式千斤顶生产、服务和开发的出口企业。其产品远销美洲、欧洲、中东的许多国家和地区。公司自2004年成立以来不断的坚持采用新技术，培养一批有高素质、高技能的员工，产品以其诚实的信誉、过硬的品质、不断创新风格赢得了国内外客户的青睐。

公司坐落于海、陆、空交通便捷的中国黄金商贸城——浙江台州，占地面积20000余平方米，现有职工500多人，拥有完善的管理机制，为公司及时掌握国内外市场动态提供了便捷的条件。公司高度重视企业管理，人才引进及员工队伍的建设，努力提高全体员工的素质和责任意识，于2005年顺利通过ISO9001质量体系认证和欧洲CE认证，是政府扶持的AAA级企业。

本公司坚持“产品质量是企业的生存之本，顾客满意是企业的出发点和归宿，持续改进是全体员工永恒的追求”为品质方针，以“信誉第一，顾客至上”为一贯宗旨，不断改善经营机制，凭着“诚实守信，质量是企业发展的寄出”为原则，广泛吸取国际同类产品的精华，不断开发新产品，以满足顾客需求。

我们热忱欢迎海内外同仁携手合作，互利共赢共创辉煌！

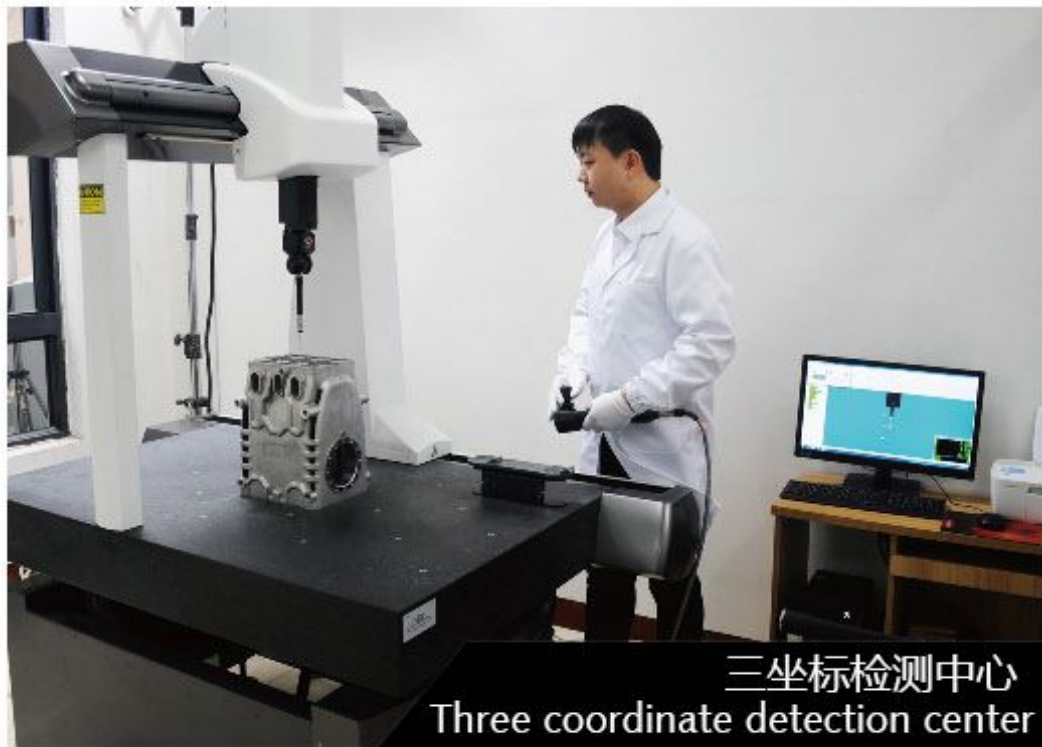
Zhejiang Zhengmao Pneumatic Machinery Co., Ltd. Is an export firm specializing in producing, serving and developing pneumatic tools, High pressure washer and hydraulic jack. Since its inception in 2004, our firm has been insisting in adopting new technologies, fostering high-quality and high-skilled staff, Thanks to the honest credibility, excellent quality and continuously innovative style, the products are sold far to america, Europe and the middle east and welcomed by customers both at home and abroad.

The firm is located in chinese golden frade city-Taizhou in Zhejiang province, convenient for sea, air and land transportation. It covers an area of 20000 square meters, owns more the 500 employees, and has a perfect management mechanism. All these provide advantageous coditions for keeping abreast of the latest domestic and foreign market trend. Besides, our company attaches great importance to enterprise management, the introduction of the talent and the construction of the employee team, and makes every effort to imprtve the staff's quality and their sense of responisibility. In the year 2003, ther firm successfully passed the ISO9001 quality system and European CE certification and became the government support AAA lever enterprise.

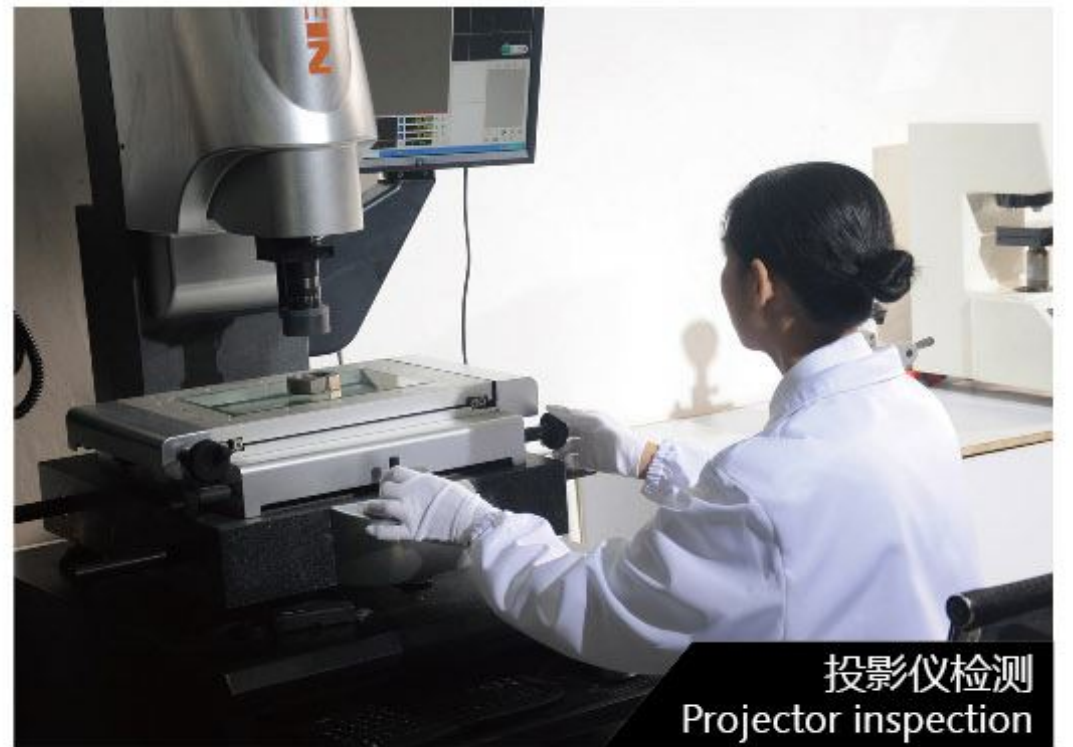
Our company perseveres" product quality is the foundation of business survival: customer satisfaction is firm's starting" point and end-result; continuous improvement is the staff's eternal pursuif" as the quality policy; "credit first, customer up most" as our all-time tenet. By continuously reforming operating mechanism and widely absorbing the essence of international similar products, we will develop more new products to meet customer need. We sincerely welcome colleagues both at home and abroad cooperate together to create brilliance on a mutually beneficial and win-win baisi!



清洗机事业部技术人员探讨  
Technician discuss



三坐标检测中心  
Three coordinate detection center



投影仪检测  
Projector inspection



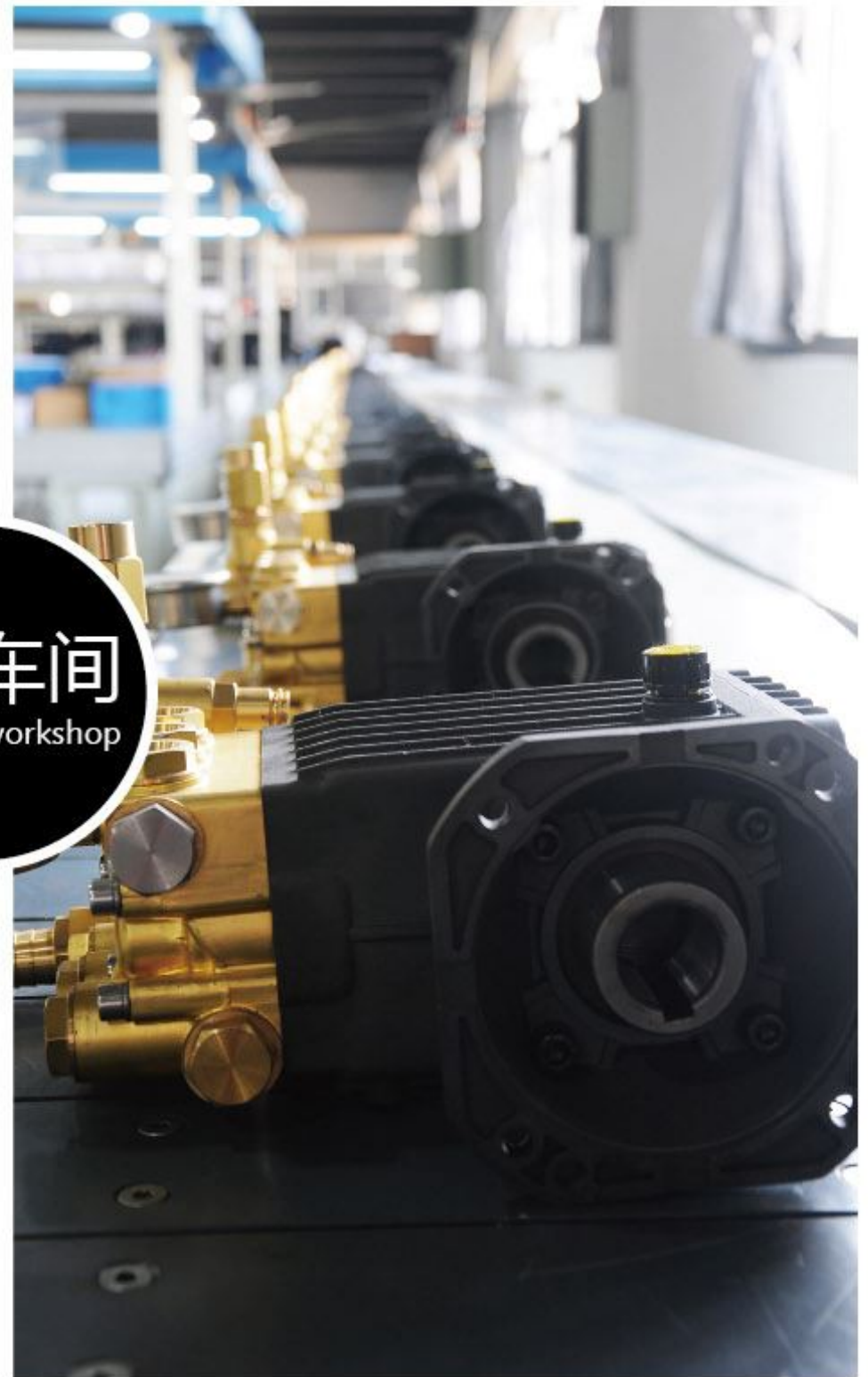
加工中心(一)  
CNC center



加工中心(二)  
CNC center



产品展示  
Products display



总装车间  
Assembly workshop



主水封是夹布水封，副水封采用超耐磨高分子复合材料。设计采用自紧式结构，达到水力模型动态平衡，使得水封油封在恒久工作状态下不滴露。  
The main water seal use fabric material and vice-water seal use wear-resisting polymer composite material and Self tightening structure to make sure the machine in one year normally use.

箱体结构尺寸大，是正茂独创设计，耐用散热快。  
Big size for the crankcase is Zhengmao's original design, durable and fast heat dissipation.

关枪停机功能采用低压24V控制电机起停，确保操作人员安全性。  
The shutdown gun function use 24V controller motor for safety operate.



单向阀结构坚固耐用，拆装方便，更易维护  
The one-way valve is durable and easy to dismounting for the maintenance

缸体采用加强筋设计，结构坚固耐用，提高承载能力  
Stiffener design to make the cylinder durable and improve bearing capacity

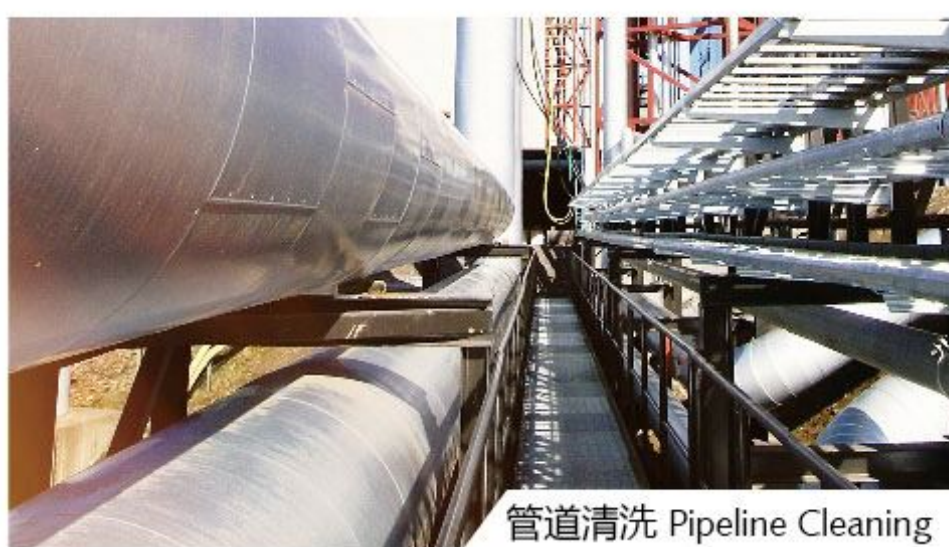
# 神器在手，清洗随意

适用于各种场景

APPLICATION



车辆清洗 Car cleaning



管道清洗 Pipeline Cleaning



大型工程车辆清洗 Engineering vehicle cleaning



造雾 Fog making



喷雾降尘 Reduce dust



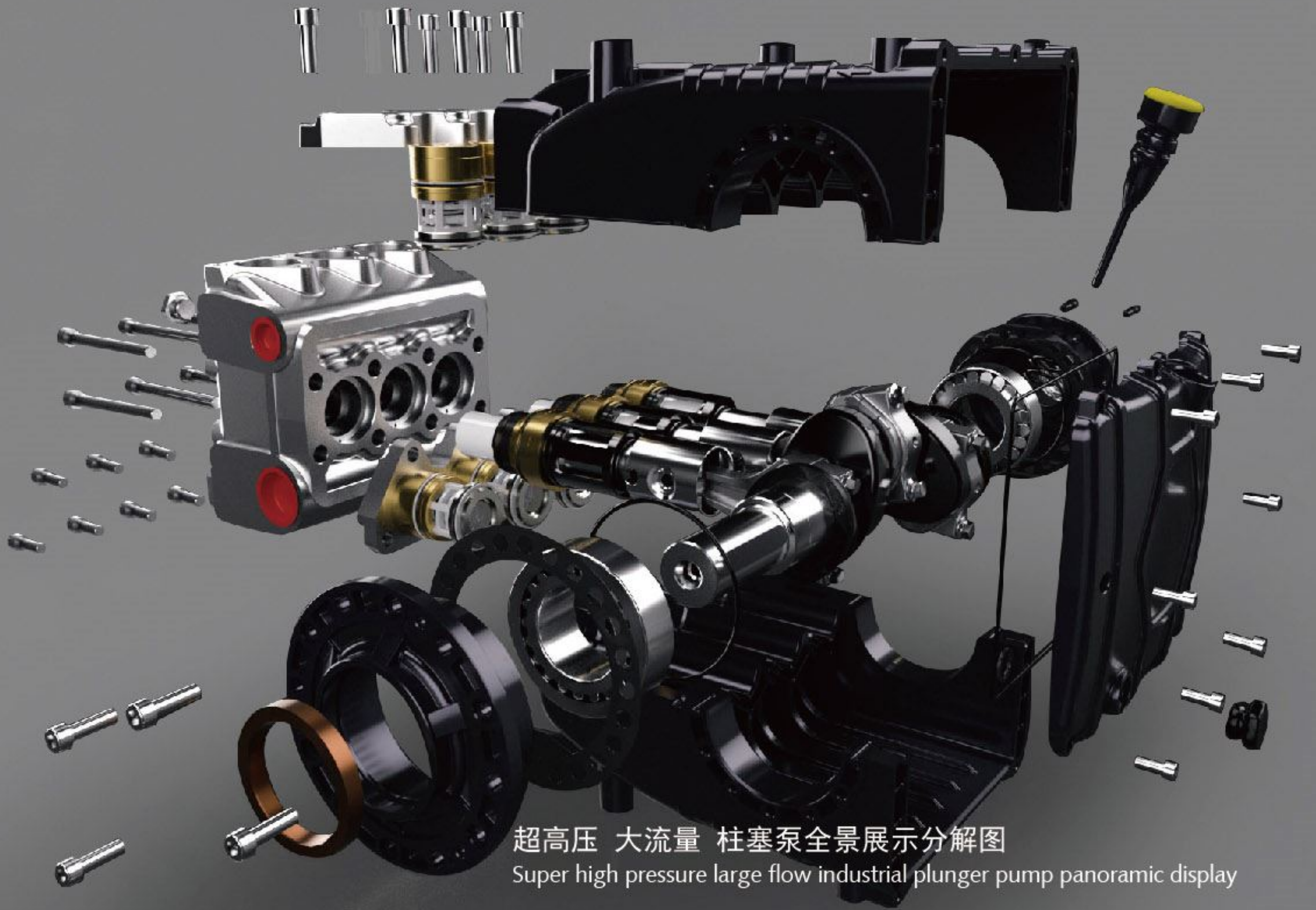
根雕去皮 Root carving and peeling



环卫 Sanitation



养殖场清洗 Farm cleaning



超高压 大流量 柱塞泵全景展示分解图

Super high pressure large flow industrial plunger pump panoramic display



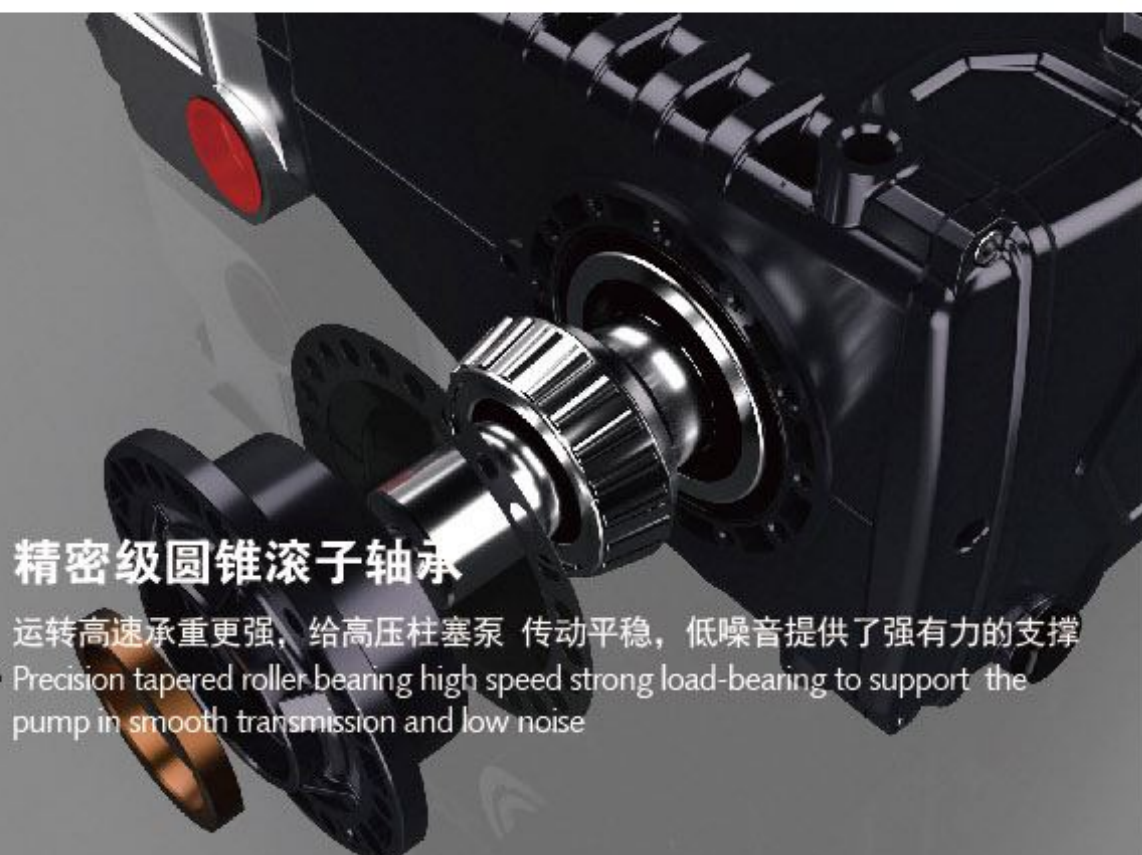
曲轴箱  
Crankcase

精密铝压铸生产工艺经久耐用，散热效果极强  
Precise aluminum die casting process, durable and strong heat dissipation



缸体

精密浇铸生产工艺力学性能优越，塑韧性强  
Cylinder use precise casting to make it in Superior mechanical properties and strong Plasticity



精密级圆锥滚子轴承

运转高速承重更强，给高压柱塞泵 传动平稳，低噪音提供了强有力的支撑  
Precision tapered roller bearing high speed strong load-bearing to support the pump in smooth transmission and low noise



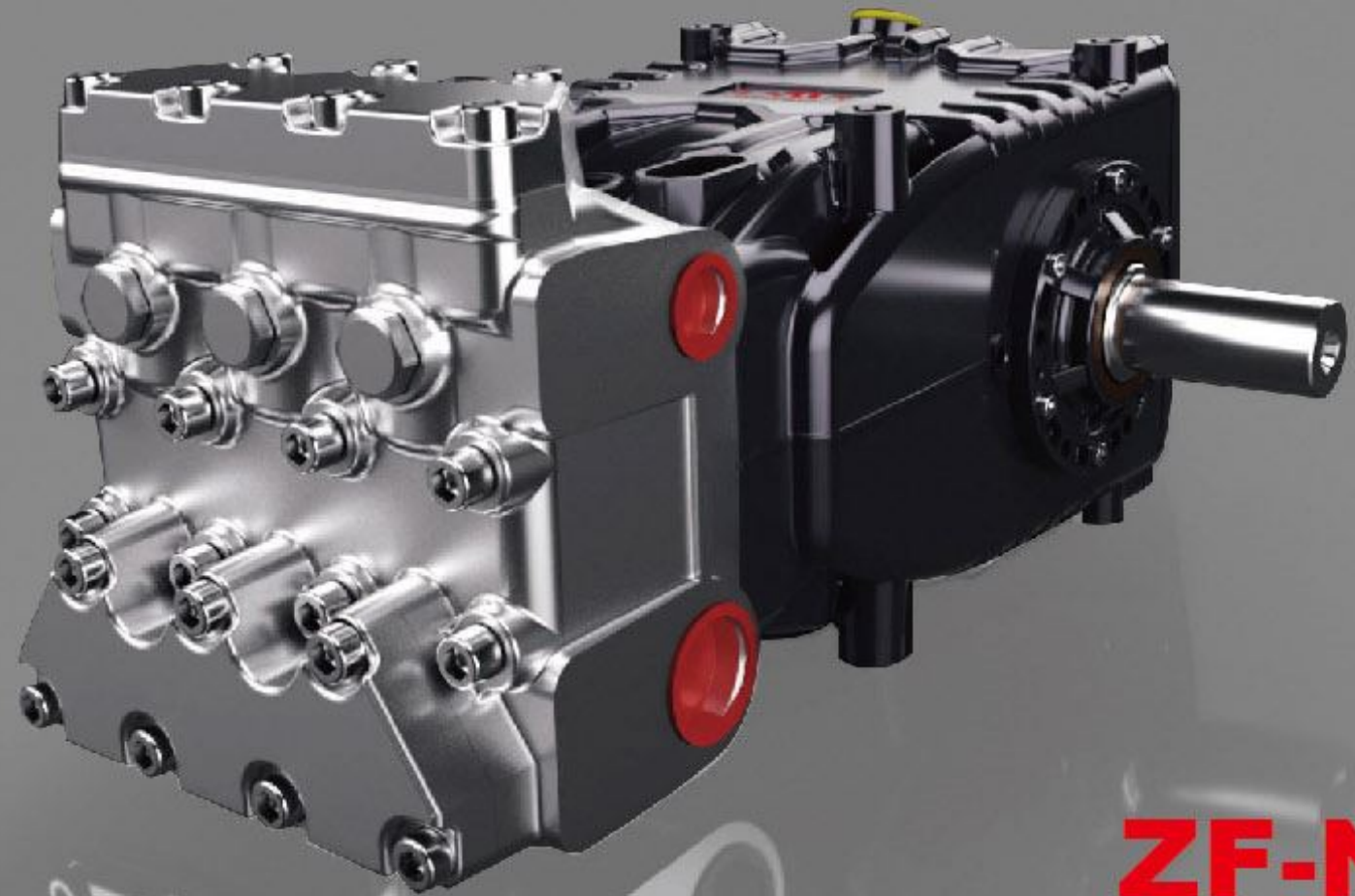
曲轴  
Crankshaft

超强度材质锻造加工，先进的热处理工艺，综合力学性能更好  
Forging of super strength material, advanced heat treatment, better comprehensive mechanical properties



正茂掌握工业级高压柱塞泵核心技术

zhengmao master the core technology of industrial high pressure plunger pump

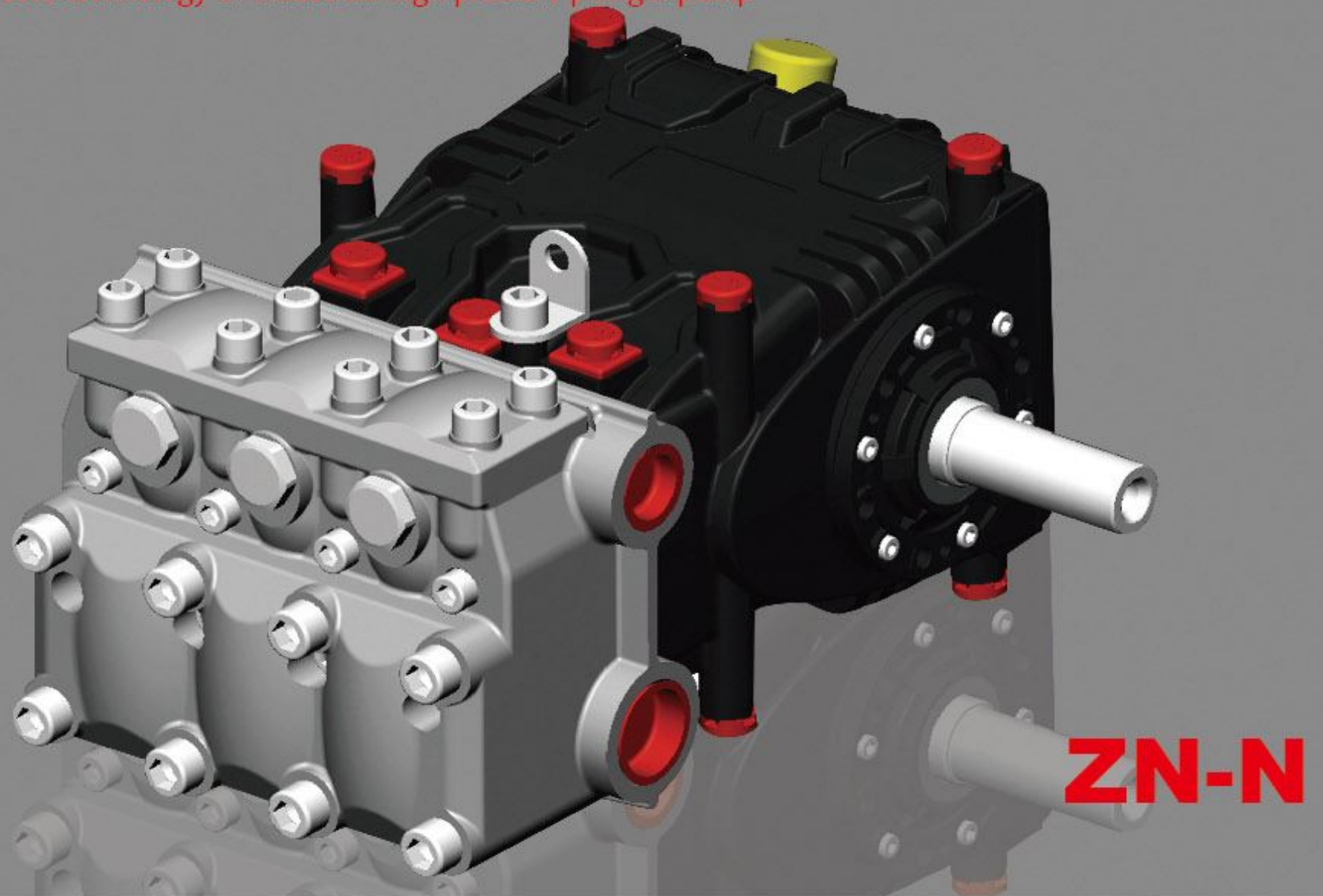


ZF-N

产品型号 Model	流量 Flow		压力 Pressure		电机功率 Power		转速 Speed	重量 Weight
	(L/min)	(gpm)	(bar)	(psi)	(hp)	(kw)	(R.P.M)	(kg)
ZF92/21	92	24.3	210	3045	50	37	1000	69
ZF106/20	106	28.0	200	2900	55	40	1000	69
ZF122/16	122	32.2	160	2320	50	37	800	69
ZF137/14	137	36.2	140	2030	50	37	900	69
ZF153/13	153	40.4	130	1885	52	38	1000	69
ZF169/11	169	44.6	110	1595	49	36	900	69
ZF189/11	189	50.0	110	1595	56	41	1000	69
ZF239/108	239	63.1	80	1160	51	37	1000	69

正茂掌握工业级高压柱塞泵核心技术

zhengmao master the core technology of industrial high pressure plunger pump

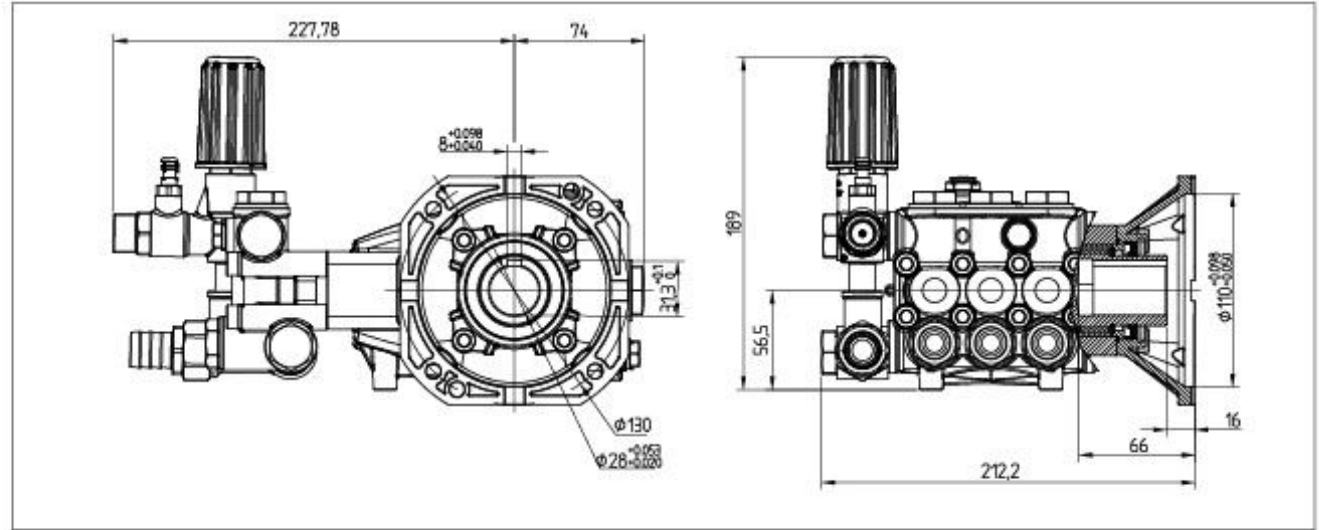


产品型号 Model	流量 Flow		压力 Pressure			电机功率 Power		转速 Speed	重量 Weight
	(L/min)	(gpm)	(bar)	(psi)	(Mpa)	(hp)	(kw)	(R.P.M)	(kg)
ZN56/25	56	14.8	250	3625	25	37	27	1450	44
ZN70/20	70	18.4	200	2900	20	37	27	1450	44
ZN84/17.5	84	22.2	175	2538	17.5	38	28	1750	44
ZN80/17.5	80	21.1	175	2538	17.5	38	28	1450	44
ZN96/14	96	25.5	140	2030	14	37	27	1750	44
ZN91/15	91	24.0	150	2175	15	37	27	1450	44
ZN115/12	115	30.4	120	1740	12	38	28	1450	44
ZN139/10	139	36.7	100	1450	10	38	28	1750	44
ZN142/10	142	37.5	100	1450	10	38	28	1450	44
ZN124/10	124	32.8	100	1450	10	33	24	1000	44
ZN112/10	112	29.6	100	1450	10	30	22	900	44
ZN99/10	99	26.2	100	1450	10	27	20	800	44

**ZA-CF2**



外观专利 仿冒必究  
DESIGN PATENT  
专利号: 201530092132.7

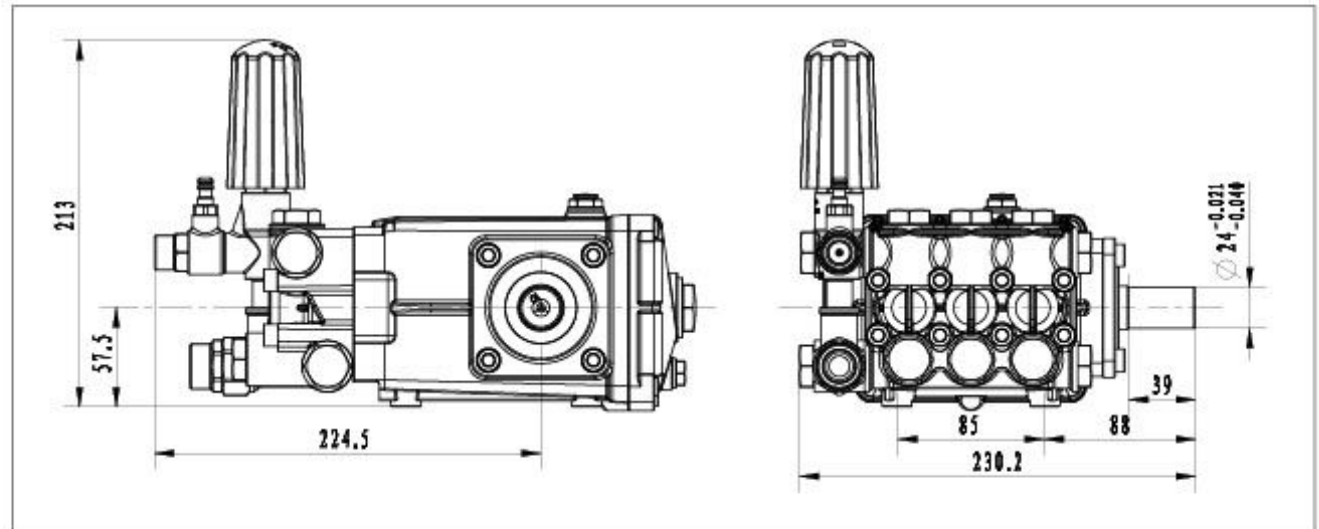


产品型号 Model	流量 Flow		压力 Pressure		电机功率 Power		转速 Speed (R.P.M)	重量 Weight (kg)
	(L/min)	(gpm)	(bar)	(psi)	(hp)	(kw)		
ZA1110CF2	11	2.90	100	1450	2.9	2.0	1450	8.7
ZA1412CF2	14	3.70	120	1740	4.5	3.0	1450	
ZA1515CF2	15	3.96	150	2175	6.0	4.0	1450	
ZA1520CF2	15	3.96	200	2900	8.0	5.4	1450	
ZA1525CF2	15	3.96	250	3625	10.0	6.7	1450	
ZA1530CF2	15	3.96	300	4350	12.1	8.0	1450	
ZA1715CF2	17	4.49	150	2175	6.8	4.6	1450	
ZA2010CF2	20	5.28	100	1450	5.4	3.6	1450	
ZA2030CF2	20	5.28	300	4350	16.1	10.7	1450	

**ZA-N**

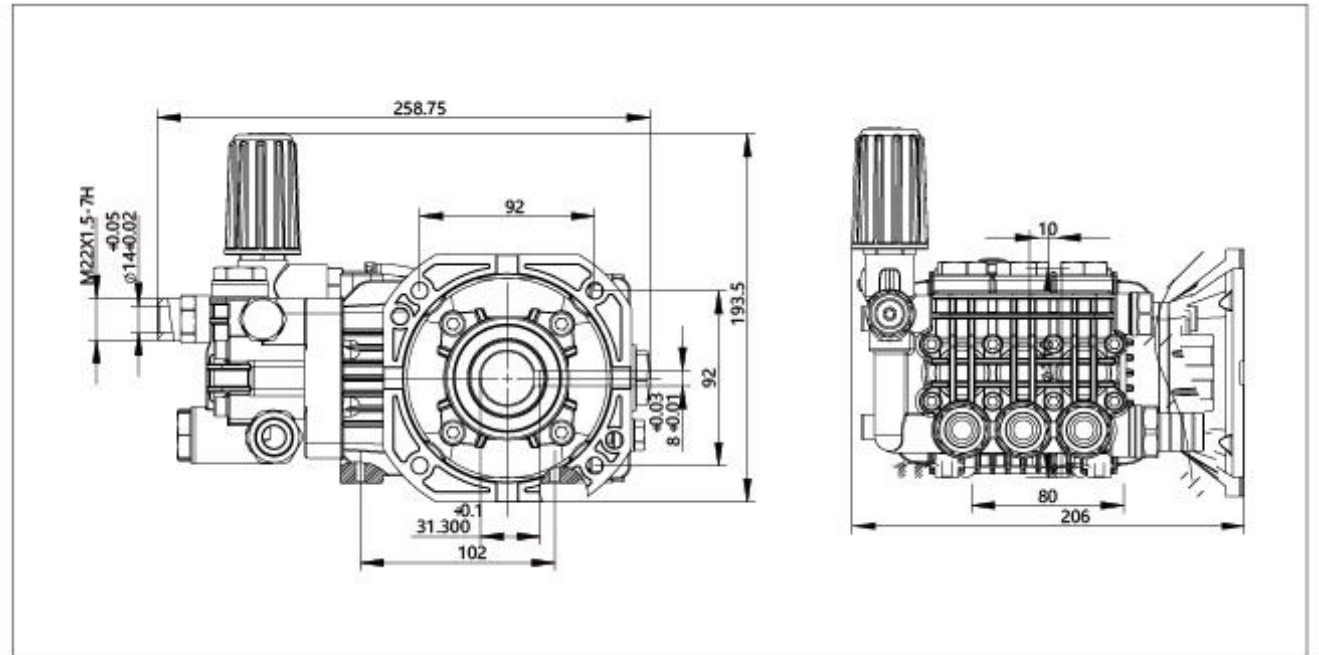


外观专利 仿冒必究  
DESIGN PATENT  
专利号: 201530092132.7



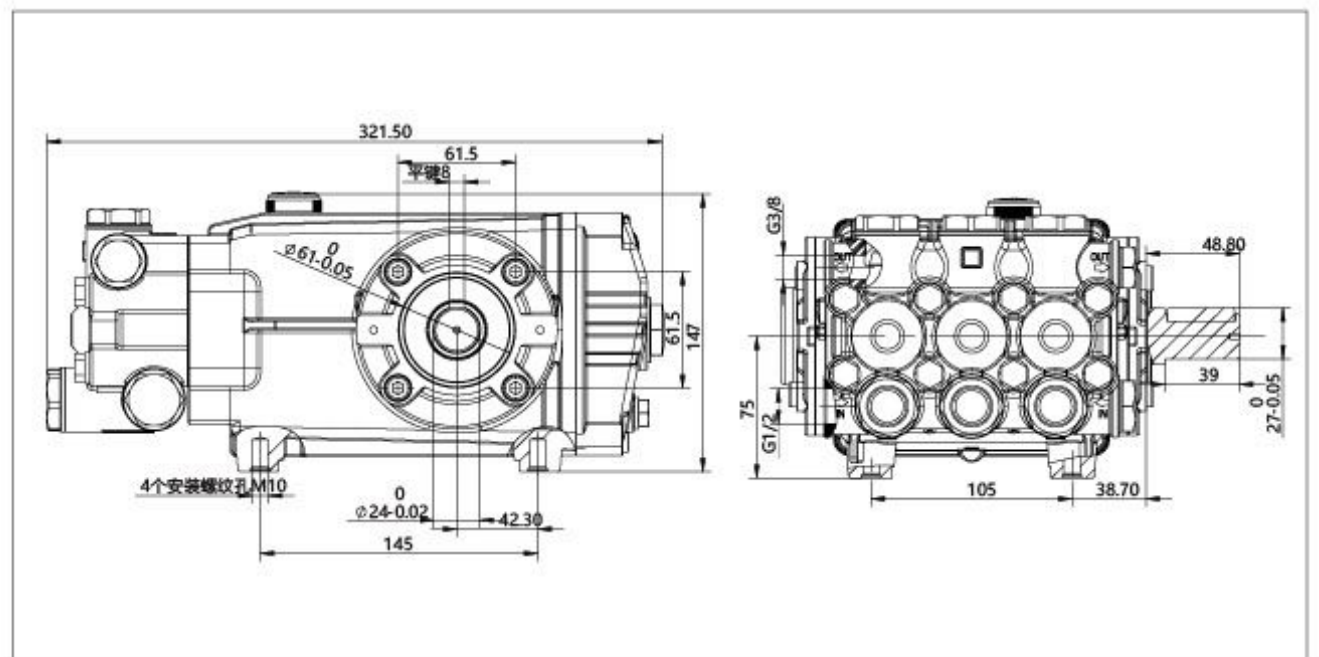
产品型号 Model	流量 Flow		压力 Pressure		电机功率 Power		转速 Speed (R.P.M)	重量 Weight (kg)
	(L/min)	(gpm)	(bar)	(psi)	(hp)	(kw)		
ZA1110N	11	2.90	100	1450	2.9	2.0	1450	8.6
ZA1412N	14	3.70	120	1740	4.5	3.0	1450	
ZA1515N	15	3.96	150	2175	6.0	4.0	1450	
ZA1520N	15	3.96	200	2900	8.0	5.4	1450	
ZA1525N	15	3.96	250	3625	10.0	6.7	1450	
ZA1530N	15	3.96	300	4350	12.1	8.0	1450	
ZA1715N	17	4.49	150	2175	6.8	4.6	1450	
ZA2010N	20	5.28	100	1450	5.4	3.6	1450	
ZA2030N	20	5.28	300	4350	16.1	10.7	1450	

## ZM-CF1



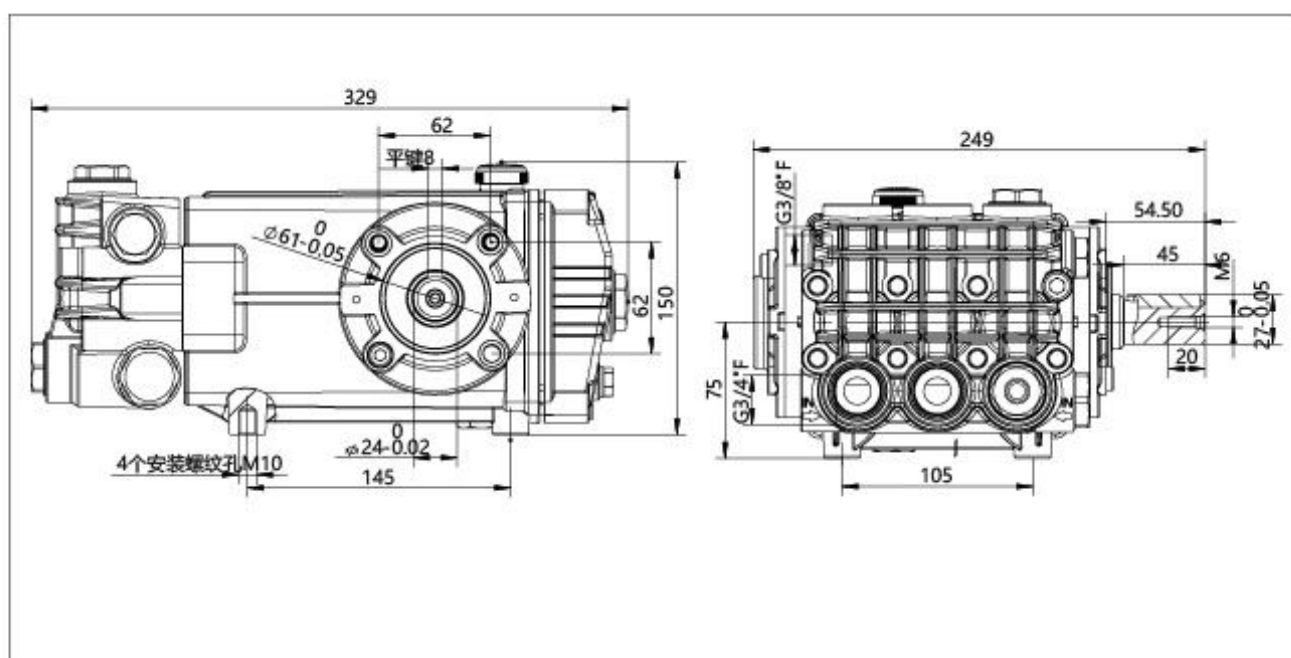
产品型号 Model	流量 Flow		压力 Pressure		电机功率 Power		转速 Speed	重量 Weight
	(L/min)	(gpm)	(bar)	(psi)	(hp)	(kw)	(R.P.M)	(kg)
ZM1310CF1	13	3.43	100	1450	3.5	2.3	1450	7.4
ZM1710CF1	17	4.49	100	1450	4.6	3.0	1450	
ZM1910CF1	19	5.02	80	1160	4.1	2.7	1450	
ZM2010CF1	20	5.28	100	1450	5.4	3.6	1450	

## ZW-N



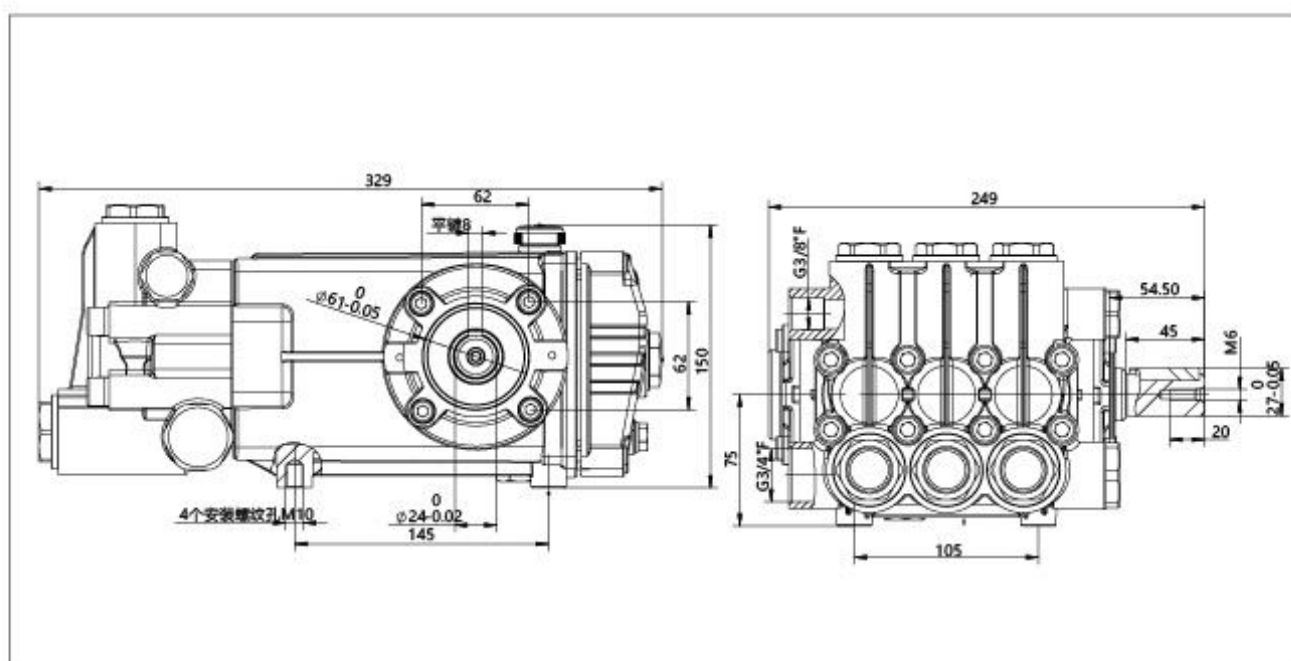
产品型号 Model	流量 Flow		压力 Pressure		电机功率 Power		转速 Speed	重量 Weight
	(L/min)	(gpm)	(bar)	(psi)	(hp)	(kw)	(R.P.M)	(kg)
ZW201/W202A	16	4.22	200	2900	8.6	5.7	1450	2.9
ZW202B	20	5.28	200	2900	10.7	7.1	1450	
ZW202C	30	7.92	150	2175	12.1	8.0	1450	

## ZD-N



产品型号 Model	流量 Flow		压力 Pressure		电机功率 Power		转速 Speed	重量 Weight
	(L/min)	(gpm)	(bar)	(psi)	(hp)	(kw)	(R.P.M)	(kg)
ZD2235N	22	5.81	350	5075	20.6	13.8	1450	14
ZD3020N	30	7.92	200	2900	16.1	10.7	1450	
ZD4015N	40	10.56	200	2900	21.4	14.3	1450	
ZD5015N	50	13.20	150	2175	20.1	13.4	1450	

## ZS-N



产品型号 Model	流量 Flow		压力 Pressure		电机功率 Power		转速 Speed	重量 Weight
	(L/min)	(gpm)	(bar)	(psi)	(hp)	(kw)	(R.P.M)	(kg)
ZS1550N	50	13.20	150	2175	20.1	13.4	1450	16
ZS6013N	60	15.84	130	1885	20.9	13.9	1450	
ZS7010N	70	18.48	100	1450	18.8	12.5	1450	

## ZM-2100C

### 4大功能 FUNCTIONS

漏电保护 Leakage protection  
 过载保护 Over load protection  
 延时关机 Delay shutdown  
 关枪停机 Shutdown gun

### 适用范围 APPLICATION

微小型洗车场, 物业小区清洗  
 Mini car park  
 流动和家庭洗车等  
 Mobile and family car washing

### 产品特点 PRODUCT FEATURE

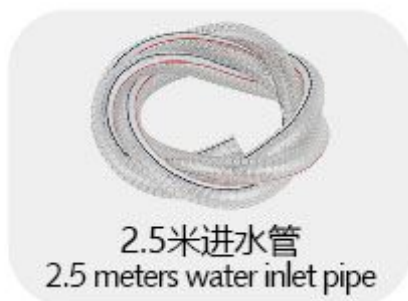
电机质保2年(无缺相)  
 2 Years guarantee for the motor(No lack of phase)  
 耐用级带过载四极铝壳电机  
 Durable four-pole aluminum housing motor with safeguard of over loading  
 实心耐磨性极好喷瓷(陶)柱塞  
 Solid stainless steel sparyed porcelain plunger with heat treatment  
 超过60分钟不开机, 自动切断电源  
 Auto cut off power when over 60 mins no working  
 本机可连续24小时工作  
 Then machine can 24 hours continuous working



注: 首次使用100小时换1次机油, 本机工作800小时(三个月), 再更换1次机油, 机油型号15W-40。  
 Note: Pls change the engine oil after 100 hours for first use (3 monthes), engine oil No.: 15W-40.

外观专利号 (Patent number) : 201830525576.9

### 配件展示 ACCESSORIES



### 性能参数 SPECIFICATION

产品型号 Model	电机功率 Matching power	电压 Volatage	电机转速 Motor speed	最大压力 Max pressure	最大流量 Max flow	匹配型号 Models of pump matched	净重 Net weight	毛重 Gross weight	包装尺寸 Carton measurement
	(kw)	(V)	(r.p.m)	(Psi)/(Bar)	(gpm)/(lpm)		(kg)	(kg)	(cm)
ZM-2100C	2.2	220	1450	1450/100	4.1/15.5	ZM1510CF1	43	53	58×44×50
ZM-2200C	3	380	1450	1740/120	3.96/15	ZM1512CF1	43	53	58×44×50
ZM-2400C	4	380	1450	2465/170	3.96/15	ZM1517CF1	43	53	58×44×50

## ZM-1016A

### 4大功能 FUNCTIONS

漏电保护 Leakage protection  
 过载保护 Over load protection  
 延时关机 Delay shutdown  
 关枪停机 Shutdown gun

### 适用范围 APPLICATION

大中型洗车场, 物业小区清洗 Car washing store  
 汽车4S店, 洗车美容清洗 Auto 4s shops, automotive beauty shops washing  
 建筑物外墙、浴池、游泳池清洗 Facades, bath, swimming pool cleaning  
 食品加工厂、养殖场, 机械设备清洗 Food processing plants, farms, mechanical equipments cleaning

### 产品特点 PRODUCT FEATURE

电机质保2年(无缺相)  
 2 Years guarantee for the motor(No lack of phase)  
 耐用级带过载四极铝壳电机(国标)  
 Durable four-pole aluminum housing GB standard motor with safeguard of over loading  
 实心耐磨性极好喷瓷(陶)柱塞  
 Solid stainless steel sparyed porcelain plunger with heat treatment  
 超过60分钟不开机, 自动切断电源  
 Auto cut off power when over 60 mins no working  
 本机可连续24小时工作  
 Then machine can 24 hours continuous working



注: 首次使用100小时换1次机油, 本机工作800小时(三个月), 再更换1次机油, 机油型号15W-40。  
 Note: Pls change the engine oil after 100 hours for first use (3 months), engine oil No.: 15W-40.

外观专利号 (Patent number) : 201830525582.4

### 配件展示 ACCESSORIES



### 性能参数 SPECIFICATION

产品型号 Model	电机功率 Matching power (kw)	电压 Volatage (V)	电机转速 Motor speed (r.p.m)	最大压力 Max pressure (Psi)/(Bar)	最大流量 Max flow (gpm)/(lpm)	匹配型号 Models of pump matched	净重 Net weight (kg)	毛重 Gross weight (kg)	包装尺寸 Carton measurement (cm)
ZM-1016A	2.2	220	1450	1450/100	4.3/16	ZM1610CF1	51	62.5	65×51.5×55
ZM-1216A	3.0	380	1450	1740/120	4.3/16	ZM1612CF1	50.5	62.5	65×51.5×55
ZM-1511A	3.0	220	1450	2175/150	3.0/11	ZM1615CF1	51	62.5	65×51.5×55
ZM-1716A	4.0	380	1450	2465/170	4.3/16	ZM1617CF1	57	68.5	65×51.5×55

## ZM-1016B

### 4大功能 FUNCTIONS

漏电保护 Leakage protection  
 过载保护 Over load protection  
 延时关机 Delay shutdown  
 关枪停机 Shutdown gun

### 适用范围 APPLICATION

大中型洗车场, 物业小区清洗 Car washing store  
 汽车4S店, 洗车美容清洗 Auto 4s shops, automotive beauty shops washing  
 建筑物外墙、浴池、游泳池清洗 Facades, bath, swimming pool cleaning  
 食品加工厂、养殖场, 机械设备清洗 Food processing plants, farms, mechanical equipments cleaning

### 产品特点 PRODUCT FEATURE

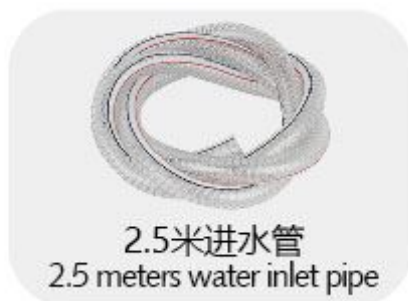
电机质保2年(无缺相)  
 2 Years guarantee for the motor(No lack of phase)  
 耐用级带过载四极铝壳电机(国标)  
 Durable four-pole aluminum housing GB standard motor with safeguard of over loading  
 实心耐磨性极好喷瓷(陶)柱塞  
 Solid stainless steel sparyed porcelain plunger with heat treatment  
 超过60分钟不开机, 自动切断电源  
 Auto cut off power when over 60 mins no working  
 本机可连续24小时工作  
 Then machine can 24 hours continuous working



注: 首次使用100小时换1次机油, 本机工作800小时(三个月), 再更换1次机油, 机油型号15W-40。  
 Note: Pls change the engine oil after 100 hours for first use (3 months), engine oil No.: 15W-40.

外观专利号 (Patent number) : 201830525582.4

### 配件展示 ACCESSORIES



### 性能参数 SPECIFICATION

产品型号 Model	电机功率 Matching power	电压 Volatage	电机转速 Motor speed	最大压力 Max pressure	最大流量 Max flow	匹配型号 Models of pump matched	净重 Net weight	毛重 Gross weight	包装尺寸 Carton measurement
	(kw)	(V)	(r.p.m)	(Psi)/(Bar)	(gpm)/(lpm)		(kg)	(kg)	(cm)
ZM-1016B	2.2	220	1450	1450/100	4.3/16	ZM1610CF2	51	62.5	65×51.5×55
ZM-1216B	3.0	380	1450	1740/120	4.3/16	ZM1612CF2	50.5	62.5	65×51.5×55
ZM-1511B	3.0	220	1450	2175/150	3.0/11	ZM1615CF2	51	62.5	65×51.5×55
ZM-1716B	4.0	380	1450	2465/170	4.3/16	ZM1617CF2	57	68.5	65×51.5×55



## ZM-2015S

一机双枪  
ONE MACHINE DOUBLE GUNS

### 4大功能 FUNCTIONS

漏电保护 Leakage protection  
过载保护 Over load protection  
延时关机 Delay shutdown  
关枪停机 Shutdown gun

### 适用范围 APPLICATION

大中型洗车场, 物业小区清洗 Car washing store  
汽车4S店, 洗车美容清洗 Auto 4s shops, automotive beauty shops washing  
建筑物外墙、浴池、游泳池清洗 Facades, bath, swimming pool cleaning  
食品加工厂、养殖场, 机械设备清洗 Food processing plants, farms, mechanical equipments cleaning

### 产品特点 PRODUCT FEATURE

电机质保2年(无缺相) 2 Years guarantee for the motor(No lack of phase)  
耐用级带过载四极铝壳电机(国标) Durable four-pole aluminum housing GB standard motor with safeguard of over loading  
实心耐磨性极好喷瓷(陶)柱塞 Solid stainless steel sparyed porcelain plunger with heat treatment  
超过60分钟不开机, 自动切断电源 Auto cut off power when over 60 mins no working  
本机可连续24小时工作 Then machine can 24 hours continuous working

泵头  
一年质保  
ONE YEAR GUARANTEE FOR THE PUMP



注: 首次使用100小时换1次机油, 本机工作800小时(三个月), 再更换1次机油, 机油型号15W-40。  
Note: Pls change the engine oil after 100 hours for first use (3 monthes), engine oil No.: 15W-40.

外观专利号 (Patent number) : 201830525582.4

### 配件展示 ACCESSORIES



### 性能参数 SPECIFICATION

产品型号 Model	电机功率 Matching power (kw)	电压 Volatage (V)	电机转速 Motor speed (r.p.m)	最大压力 Max pressure (Psi)/(Bar)	最大流量 Max flow (gpm)/(lpm)	匹配型号 Models of pump matched	净重 Net weight (kg)	毛重 Gross weight (kg)	包装尺寸 Carton measurement (cm)
ZM-2015S1	3.0	380	1450	1450/100	4.0/15	ZA1510CF2	51	65	65×51.5×55
ZM-2015S2	3.0	220	1450	1450/100	4.0/15	ZA1510CF2	51	65	65×51.5×55

## ZM-2213

### 4大功能 FUNCTIONS

漏电保护 Leakage protection  
 过载保护 Over load protection  
 延时关机 Delay shutdown  
 关枪停机 Shutdown gun

### 适用范围 APPLICATION

微小型洗车场, 物业小区清洗  
 Mini car park  
 汽车4S店, 洗车美容清洗  
 Auto 4s shops, automotive beauty shops washing

### 产品特点 PRODUCT FEATURE

电机质保2年(无缺相)  
 2 Years guarantee for the motor(No lack of phase)  
 耐用级带过载四极铝壳电机(国标)  
 Durable four-pole aluminum housing GB standard motor with safeguard of over loading  
 实心耐磨性极好喷瓷(陶)柱塞  
 Solid stainless steel sparyed porcelain plunger with heat treatment  
 超过60分钟不开机, 自动切断电源  
 Auto cut off power when over 60 mins no working  
 本机可连续24小时工作  
 Then machine can 24 hours continuous working

泵头  
一年质保  
ONE YEAR GUARANTEE FOR THE PUMP



注: 首次使用100小时换1次机油, 本机工作800小时(三个月), 再更换1次机油, 机油型号15W-40。  
 Note: Pls change the engine oil after 100 hours for first use (3 monthes), engine oil No.: 15W-40.

### 配件展示 ACCESSORIES



### 性能参数 SPECIFICATION

产品型号 Model	电机功率 Matching power (kw)	电压 Volatage (V)	电机转速 Motor speed (r.p.m)	最大压力 Max pressure (Psi)/(Bar)	最大流量 Max flow (gpm)/(lpm)	匹配型号 Models of pump matched	净重 Net weight (kg)	毛重 Gross weight (kg)	包装尺寸 Carton measurement (cm)
ZM-2213	2.2	220	1450	1450/100	3.5/13	ZM1310CF1	55	65	64.5×54×53
ZM-3016	3.0	380	1450	1450/100	4.3/16	ZM1610CF1	56	65	64.5×54×53

## ZM-3600-1

### 4大功能 FUNCTIONS

漏电保护 Leakage protection  
 过载保护 Over load protection  
 延时关机 Delay shutdown  
 关枪停机 Shutdown gun

### 适用范围 APPLICATION

微小型洗车场, 物业小区清洗  
 Mini car park  
 汽车4S店, 洗车美容清洗  
 Auto 4s shops, automotive beauty shops washing

### 产品特点 PRODUCT FEATURE

电机质保2年(无缺相)  
 2 Years guarantee for the motor(No lack of phase)  
 耐用级带过载四极铝壳电机(国标)  
 Durable four-pole aluminum housing GB standard motor with safeguard of over loading  
 实心耐磨性极好喷瓷(陶)柱塞  
 Solid stainless steel sparyed porcelain plunger with heat treatment  
 超过60分钟不开机, 自动切断电源  
 Auto cut off power when over 60 mins no working  
 本机可连续24小时工作  
 Then machine can 24 hours continuous working



注: 首次使用100小时换1次机油, 本机工作800小时(三个月), 再更换1次机油, 机油型号15W-40。  
 Note: Pls change the engine oil after 100 hours for first use (3 months), engine oil No.: 15W-40.

### 配件展示 ACCESSORIES



### 性能参数 SPECIFICATION

产品型号 Model	电机功率 Matching power (kw)	电压 Volatage (V)	电机转速 Motor speed (r.p.m)	最大压力 Max pressure (Psi)/(Bar)	最大流量 Max flow (gpm)/(lpm)	匹配型号 Models of pump matched	净重 Net weight (kg)	毛重 Gross weight (kg)	包装尺寸 Carton measurement (cm)
ZM-3600-1	2.2	220	1450	1450/100	4.0/15	ZM1510CF1	50.5	55	64.5×54×53
ZM-3600-2	3.0	380	1450	1740/100	4.0/15	ZM1510CF1	51.5	56	64.5×54×53

## ZM-1916M

### 4大功能 FUNCTIONS

漏电保护 Leakage protection  
 过载保护 Over load protection  
 延时关机 Delay shutdown  
 关枪停机 Shutdown gun

### 适用范围 APPLICATION

大中型洗车场, 物业小区清洗 Car washing store  
 汽车4S店, 洗车美容清洗  
 Auto 4s shops, automotive beauty shops washing  
 建筑物外墙、浴池、游泳池清洗  
 Facades, bath, swimming pool cleaning  
 食品加工厂、养殖场, 机械设备清洗  
 Food processing plants, farms, mechanical equipments cleaning

### 产品特点 PRODUCT FEATURE

电机质保2年(无缺相)  
 2 Years guarantee for the motor(No lack of phase)  
 耐用级带过载四极铝壳电机(国标)  
 Durable four-pole aluminum housing GB standard motor with safeguard of over loading  
 实心耐磨性极好陶瓷柱塞  
 Solid stainless steel sparyed porcelain plunger with heat treatment  
 超过60分钟不开机, 自动切断电源  
 Auto cut off power when over 60 mins no working  
 本机可连续24小时工作  
 Then machine can 24 hours continuous working



注: 首次使用100小时换1次机油, 本机工作800小时(三个月), 再更换1次机油, 机油型号15W-40。  
 Note: Pls change the engine oil after 100 hours for first use (3 monthes), engine oil No.: 15W-40.

### 配件展示 ACCESSORIES



### 性能参数 SPECIFICATION

产品型号 Model	电机功率 Matching power (kw)	电压 Volatage (V)	电机转速 Motor speed (r.p.m)	最大压力 Max pressure (Psi)/(Bar)	最大流量 Max flow (gpm)/(lpm)	匹配型号 Models of pump matched	净重 Net weight (kg)	毛重 Gross weight (kg)	包装尺寸 Carton measurement (cm)
ZM-1916M	5.5	380	1450	2755/190	4.3/16	ZA1619CF2	51	66.5	71×51×53
ZM-2115M	5.5	380	1450	3045/210	4.0/15	ZA1510CF2	50.5	66.5	71×51×53
ZM-2615M	7.5	380	1450	3770/260	4.0/15	ZA1526CF2	51	77	71×51×53

## ZM-3020

### 4大功能 FUNCTIONS

漏电保护 Leakage protection  
 过载保护 Over load protection  
 延时关机 Delay shutdown  
 关枪停机 Shutdown gun



### 适用范围 APPLICATION

去油、除污、管道疏通、船舶清洗、工程车清洗  
 等众多工业领域  
 Oil and sewage removal, pipeline dredging, ship  
 clarity and many other industrial fields

### 产品特点 PRODUCT FEATURE

电机质保2年(无缺相)  
 2 Years guarantee for the motor(No lack of phase)  
 耐用级带过载四极铝壳电机(国标)  
 Durable four-pole aluminum housing GB standard  
 motor with safeguard of over loading  
 实心耐磨性极好陶瓷柱塞  
 Solid stainless steel sparyed porcelain plunger with  
 heat treatment  
 超过60分钟不开机，自动切断电源  
 Auto cut off power when over 60 mins no working  
 本机可连续24小时工作  
 Then machine can 24 hours continuous working



注：首次使用100小时换1次机油，本机工作800小时(三个月)，再更换1次机油，机油型号15W-40。  
 Note: Pls change the engine oil after 100 hours for first use (3 months), engine oil No.: 15W-40.

### 配件展示 ACCESSORIES



### 性能参数 SPECIFICATION

产品型号 Model	电机功率 Matching power (kw)	电压 Volatage (V)	电机转速 Motor speed (r.p.m)	最大压力 Max pressure (Psi)/(Bar)	最大流量 Max flow (gpm)/(lpm)	匹配型号 Models of pump matched	净重 Net weight (kg)	毛重 Gross weight (kg)	包装尺寸 Carton measurement (cm)
ZM-3020	11.0	380	1450	4350/300	5.3/20	ZA2030CF2	110	110	83×58.5×75.5

## ZM-3522

### 4大功能 FUNCTIONS

漏电保护 Leakage protection  
 过载保护 Over load protection  
 延时关机 Delay shutdown  
 关枪停机 Shutdown gun

### 适用范围 APPLICATION

根雕去皮、喷砂、除漆、除锈、管道疏通  
 工程车清洗等众多工业领域  
 Sand blasting, rust removal and paint removal,  
 root carving and peeling, pipeline dredging,  
 engineering vehicle cleaning

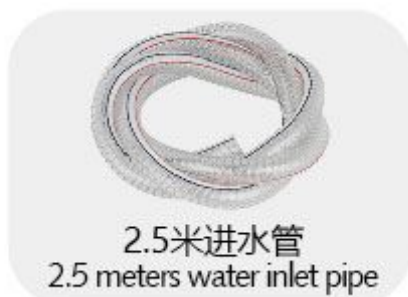
### 产品特点 PRODUCT FEATURE

电机质保2年(无缺相)  
 2 Years guarantee for the motor(No lack of phase)  
 耐用级带过载四极铝壳电机(国标)  
 Durable four-pole aluminum housing GB standard  
 motor with safeguard of over loading  
 实心耐磨性极好喷陶瓷柱塞  
 Solid stainless steel sparyed porcelain plunger with  
 heat treatment  
 超过60分钟不开机, 自动切断电源  
 Auto cut off power when over 60 mins no working  
 本机可连续24小时工作  
 Then machine can 24 hours continuous working



注: 首次使用100小时换1次机油, 本机工作800小时(三个月), 再更换1次机油, 机油型号15W-40。  
 Note: Pls change the engine oil after 100 hours for first use (3 monthes), engine oil No.: 15W-40.

### 配件展示 ACCESSORIES



### 性能参数 SPECIFICATION

产品型号 Model	电机功率 Matching power (kw)	电压 Volatage (V)	电机转速 Motor speed (r.p.m)	最大压力 Max pressure (Psi)/(Bar)	最大流量 Max flow (gpm)/(lpm)	匹配型号 Models of pump matched	净重 Net weight (kg)	毛重 Gross weight (kg)	包装尺寸 Carton measurement (cm)
ZM-3522	15.0	380	1450	5075/350	5.8/22	ZD2235N	350	350	112×75.5×72.5
ZM-5022	22.0	380	1450	7520/500	5.8/22	ZD2250N	390	350	124×80×99

## 7HP Gasoline engine

### 汽油机直联式



#### 适用范围 APPLICATION

工程车辆, 工程机械及农业机械清洗  
Construction vehicles, Mechanical equipments cleaning

城市环保清洗  
Urban environmental cleaning

注: 首次使用100小时换1次机油, 本机工作800小时(三个月), 再更换1次机油, 机油型号15W-40。  
Note: Pls change the engine oil after 100 hours for first use (3 months), engine oil No.: 15W-40.

#### 配件展示 ACCESSORIES



#### 性能参数 SPECIFICATION

产品型号 Model	动力功率 Power capacity	最大压力 Max pressure	最大流量 Max flow	匹配型号 Models of pump matched	重量 Net weight	包装尺寸 Carton measurement
	(HP)	(Psi)/(Bar)	(gpm)/(lpm)		(kg)	(cm)
ZMQ-1500	13	2170/150	4.76/18	1803G	66	75×50×55

13HP Gasoline engine

汽油机直联式



适用范围 APPLICATION

工程车辆, 工程机械及农业机械清洗  
Construction vehicles, Mechanical equipments cleaning  
城市环保清洗  
Urban environmental cleaning

注: 首次使用100小时换1次机油, 本机工作800小时(三个月), 再更换1次机油, 机油型号15W-40。  
Note: Pls change the engine oil after 100 hours for first use (3 months), engine oil No.: 15W-40.

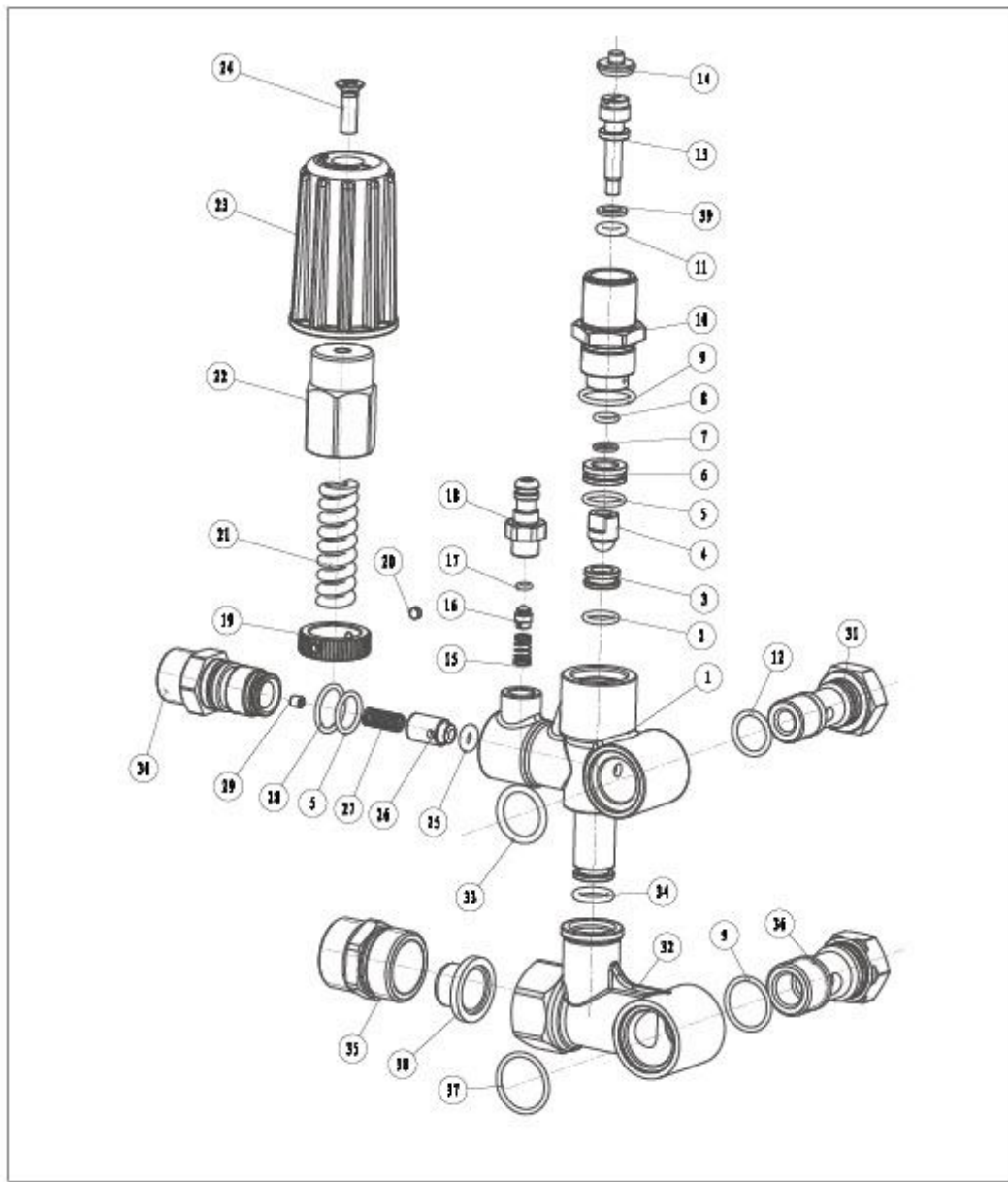
配件展示 ACCESSORIES



性能参数 SPECIFICATION

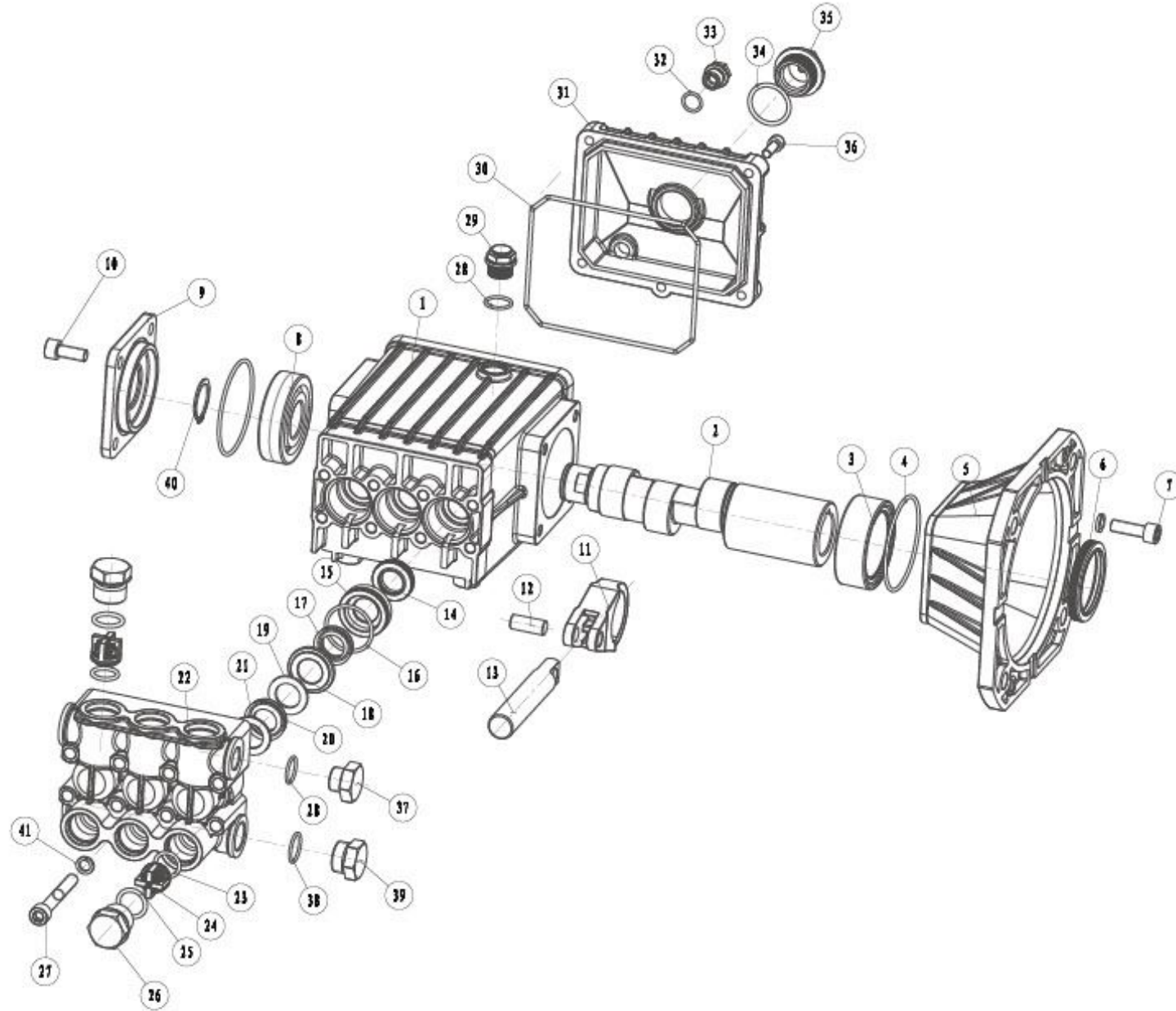
产品型号 Model	动力功率 Power capacity (HP)	最大压力 Max pressure (Psi)/(Bar)	最大流量 Max flow (gpm)/(lpm)	匹配型号 Models of pump matched	重量 Net weight (kg)	包装尺寸 Carton measurement (cm)
ZMQ-2500	13	3625/250	4.76/18	1808G	77	85×53×64
















序号 No.	配件图片 Accessories Pictures	名称 Name
1		出水三通 Water outlet joint
2 5 7 8 9 11 17		O 型圈 O type loop
3		口垫 Oral pad
4		差动阀芯 Differential valve
6		柱塞垫 Plunger washer
10		调压管 Pressure regulation pipe
13		差动柱塞 Differential plunger
14		调压弹簧下垫 Pressure regulating ring pad

序号 No.	配件图片 Accessories Pictures	名称 Name
15		吸液弹簧 Imbibition spring
16		吸液锥阀 Imbibition cone valve
18		吸液接头 Imbibition connector
19		调压锁紧螺母 Pressure regulation locking nut
21		调压弹簧 Pressure adjusting spring
22		调压帽 Pressure adjusting cap
23		调压手柄 Pressure adjusting handrail
25 28 33 34 37		O 型圈 O type loop
26		出水阀头 Outlet valve
27		阀头弹簧 Valve head spring
30		出水转换接头 Water conversion connector
31		出水三通锁紧螺栓 Outlettee joint locking bolt
32		进水三通 Water absorption connector
35		进水接头 Water absorption joint
36		进水螺栓 Inlettee joint locking bolt
38		漏网 Inlet joint locking bolt



序号 No.	配件图片 Accessories Pictures	名称 Name	序号 No.	配件图片 Accessories Pictures	名称 Name
1		曲轴箱 Crankcase	3		滚针轴承 Needle Bearing
2		1810A 曲轴 Crankshaft	4、16 23、25		O 型圈 O type loop
		1813A 曲轴 Crankshaft			
		1814A 曲轴 Crankshaft	5		法兰 Flange
		1810B 曲轴 Crankshaft	6		油封 Oil seal
			7、10 36		内六角螺钉 Bolt

序号 No.	配件图片 Accessories Pictures	名称 Name
8		轴承 Bearing
9		轴承盖 Bearing Cap
11		连杆 Connecting Rod
12		柱塞泵 Plunger pin
13		柱塞 Plunger
14		往复油封 Oil Seal
15		压缩环 Pressure Ring
17		副水封 Water seal
18		支撑环 Supporting ring
19		水封垫片 Water seal washer
20		主水封 Water seal
21		水封支撑环 Water seal supporting loop

序号 No.	配件图片 Accessories Pictures	名称 Name
8		缸体 Cylinder
9		单向阀 One-way valve
11		单向阀门帽 One-way valve pressure cap
12		内六角螺钉 Bolt
13		O 型圈 O type loop
14		油塞 Oil Plug
15		曲轴箱后盖 Crankcase rear cap
17		O 型圈 O type loop
18		放油螺塞 Purge cock
19		油镜 Oil lens
20		3/8 丝堵 screwed plug
21		1/2 丝堵 screwed plug



地址：中国浙江省台州湾集聚区三甲街道九塘南路599号

电话：0576-82740888

传真：0576-82740977

邮箱：info@zjzmttools.com

网址：www.zjzmttools.com